

TURBO HD DVR



Features and Functions

Video Input and Transmission

- Self-adaptive HDTV/HDCVI/AHD/CVBS signal input
- Up to 2-ch 8 MP IP cameras input
- 8 MP HDTV video input and live view
- Defogging function enabled for the supported analog cameras
- Long distance transmission over UTP and coaxial cable: max. 800m for 1080p and 1200m for 720p HDTV signal

Compression and Recording

- H.265+/H.265/H.264+/H.264 encoding for the main stream, and H.265/H.264 for the sub-stream of analog cameras
- Connectable to H.265+/H.265/H.264+/H.264 IP cameras
- H.265+ can be enabled to improve encoding efficiency and reduce data storage costs
- Full channel recording at up to 8 MP resolution

Video Output

- HDMI and VGA interfaces can be configured to be simultaneous or independent
- HDMI output at up to 4K (3840 × 2160) resolution
- Separate CVBS output

Storage and Playback

- 1 SATA interface (up to 8 TB capacity per HDD)
- 4-ch synchronous playback
- Smart search for efficient playback
- Supports the 3rd party cloud storage (Dropbox/Google Drive/Microsoft OneDrive)

Smart Function

- Supports multiple VCA (Video Content Analytics) events for both analog and smart IP cameras
- Supports line crossing detection and intrusion detection of all channels, and 2-ch sudden scene change detection
- VCA information overlay in live view and smart playback
- VQD (Video Quality Diagnostics)
- Supports PTZ control via Omnicast VMS of Genetec protocol

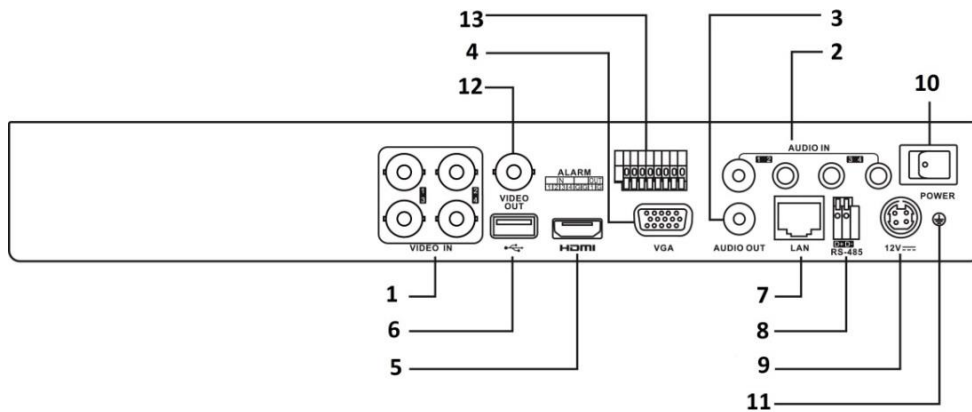
Network & Ethernet Access

- Hik-Connect & DDNS (Dynamic Domain Name System) for easy network management
- 1 RJ45 10M/100M/1000M self-adaptive Ethernet interface
- Output bandwidth limit configurable

Specifications

Model			
Video/Audio input	Video compression	H.265+/H.265/H.264+/H.264	
	Analog video input	4-ch BNC interface (1.0 Vp-p, 75 Ω), supporting coaxitron connection	
	HDTV I input	8 MP, 5 MP, 4 MP, 3 MP, 1080p30, 1080p25, 720p60, 720p50, 720p30, 720p25	
	AHD input	5 MP, 4 MP, 3 MP, 1080p25, 1080p30, 720p25, 720p30	
	HDCVI input	4 MP, 1080p25, 1080p30, 720p25, 720p30	
	CVBS input	PAL/NTSC	
	IP video input		2-ch
			Up to 8 MP resolution
			Supports H.265+/H.265/H.264+/H.264 IP cameras
	Audio compression	G.711u	
Audio input	4-ch, RCA (2.0 Vp-p, 1 KΩ)		
CVBS output	1-ch, BNC (1.0 Vp-p, 75 Ω), resolution: PAL: 704 × 576, NTSC: 704 × 480		
Video/Audio output	HDMI/VGA output	VGA: 1-ch, 1920 × 1080/60Hz, 1280 × 1024/60Hz, 1280 × 720/60Hz, 1024 × 768/60Hz	
		HDMI: 1-ch, 4K (3840 × 2160)/30Hz, 2K (2560 × 1440)/60Hz, 1920 × 1080/60Hz, 1280 × 1024/60Hz, 1280 × 720/60Hz, 1024 × 768/60Hz	
	Encoding resolution	8 MP/5 MP/4 MP/3 MP/1080p/720p/WD1/4CIF/VGA/CIF	
	Frame rate	Main stream: 8 MP@12fps, 5 MP@20fps, 3 MP@18fps 4 MP/1080p/720p/WD1/4CIF/VGA/CIF@25fps (P)/30fps (N)	
		Sub-stream: WD1/4CIF/CIF@25fps (P)/30fps (N)	
	Video bit rate	32 Kbps to 16 Mbps	
	Audio output	1-ch, RCA (Linear, 1 KΩ)	
	Audio bit rate	64 Kbps	
	Dual stream	Support	
	Stream type	Video, Video & Audio	
	Synchronous playback	4-ch	
	Network management	Remote connections	32
Network protocols		TCP/IP, PPPoE, DHCP, Hik-Connect, DNS, DDNS, NTP, SADP, NFS, iSCSI, UPnP, HTTPS, ONVIF	
Hard disk	SATA	1 SATA interface	
	Capacity	Up to 8 TB capacity for each disk	
External interface	Two-way audio input	1-ch, RCA (2.0 Vp-p, 1 KΩ) (using the 1 st audio input)	
	Network interface	1, RJ45 10M/100M/1000M self-adaptive Ethernet interface	
	USB interface	Front panel: 1 × USB 2.0 Rear panel: 1 × USB 3.0	
	Serial interface	RS-485 (half-duplex)	
	Alarm in/out	4/1	
General	Power supply	12 VDC	
	Consumption (without HDD)	≤ 15 W	
	Working temperature	-10 °C to +55 °C (+14 °F to +131 °F)	
	Working humidity	10% to 90%	
	Dimensions (W × D × H)	315 × 242 × 45 mm (12.4 × 9.5 × 1.8 inch)	
	Weight (without HDD)	≤ 1.5 kg (3.3 lb)	

Physical Interfaces



Index	Description	Index	Description
1	VIDEO IN	8	RS-485 Serial Interface
2	AUDIO IN, RCA Connector	9	12 VDC Power Input
3	AUDIO OUT, RCA Connector	10	Power Switch
4	VGA Interface	11	GND
5	HDMI Interface	12	VIDEO OUT
6	USB Interface	13	Alarm In/Out
7	LAN Network Interface		